



VSS-C80, VSS-C600, VSS-C80/600 Owners Manual

GENERAL

Vanner VSS Series Current Sensors are designed to operate in the most severe environments. The Current Sensor use Industry Standard Deutsch connectors for ease of integration. The housing is constructed from high strength Glass Filled Polycarbonate, for mounting using #10 or M5 hardware. The DC cable opening will accept up to 4/0 cable with a typical 4/0 lug attached.

SPECIFICATIONS

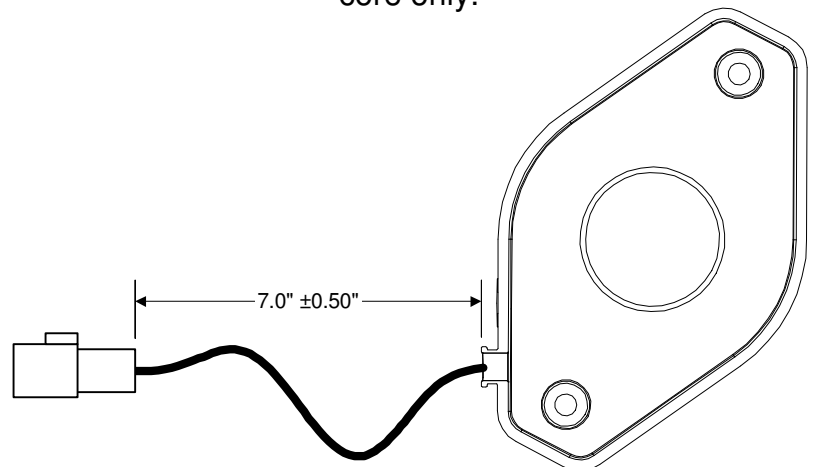
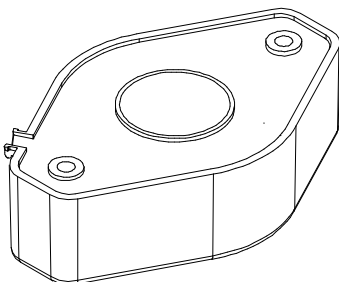
Temperature Range:	-40°F to +125°F (-40°C to +52°C)	
Supply Voltage:	4.5 - 5.5 Vdc	
Supply Current:	25 mA	
Load Resistance:	10kΩ	
Output Voltage:	.5 - 4.5 V	
Weight:	< 1.0 Lbs.	
Max Current:		
VSS-C80	80	Amps
VSS-C600	600	Amps
VSS-V80/600	600	Amps
Sensitivity: @5V supply Voltage	Sensitivity is dependant on the Supply Voltage	
VSS-C80	23.75	mV/A
VSS-C600	3.17	mV/A
VSS-V80/600	23.75,3.17	mV/A
Offset:	50% of the supply Voltage	

Required mating Deutsch connection as follows:

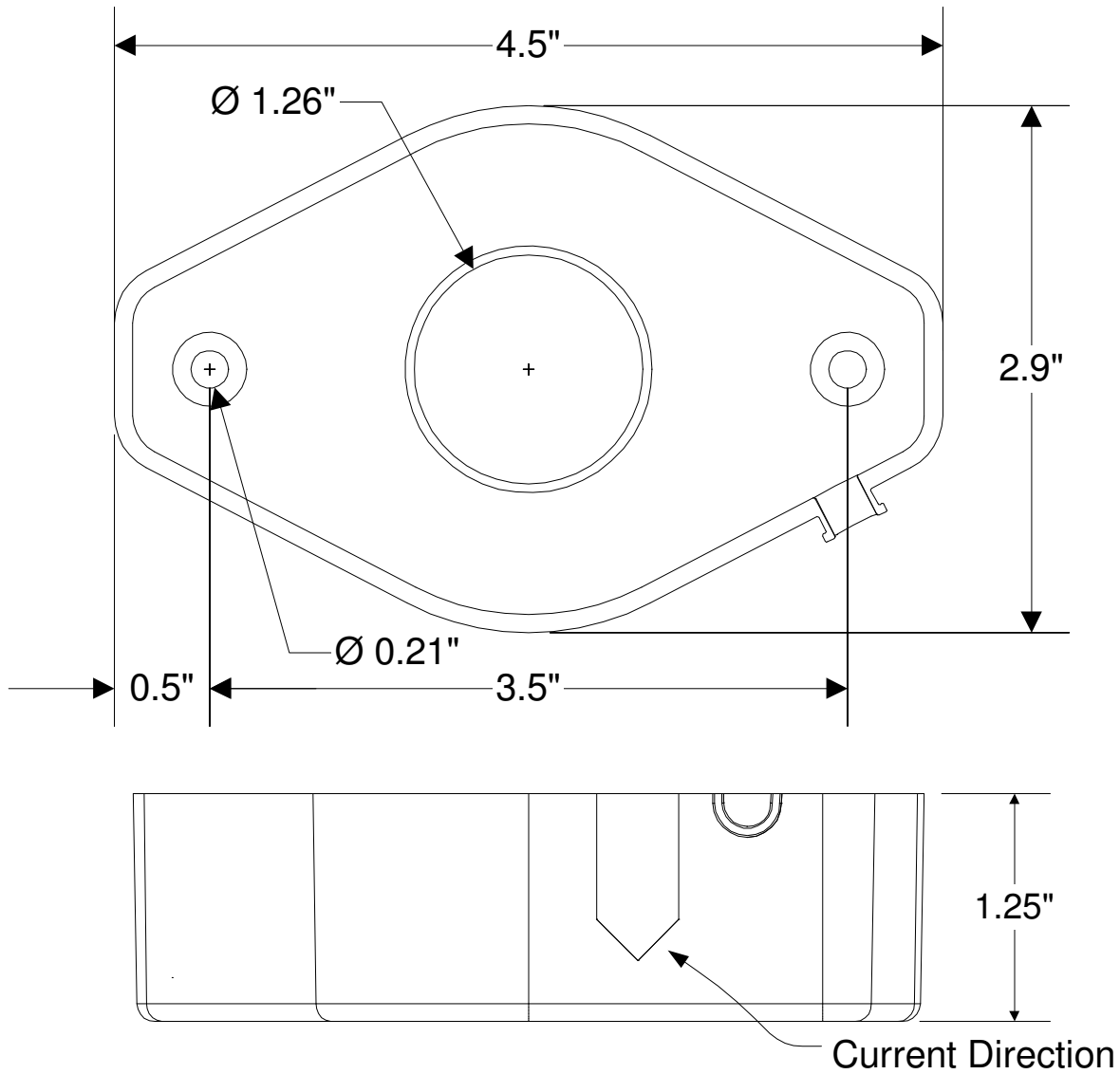
Deutsch Pinout:

Housing: DT04-6P
Lock: W6P
Sealing Pin: 0413-217-1605
Terminal: 0460-202-16141 Solid or
1060-16-0122 Stamped,
16-18AWG

- 1. Red +5V Input
- 2. Black Ground
- 3. Green Current Sense, 80A or 600A.
- 4. White Current Sense, 600A only, Dual core only.



Overall Dimensions



Notes:
