

GENERAL

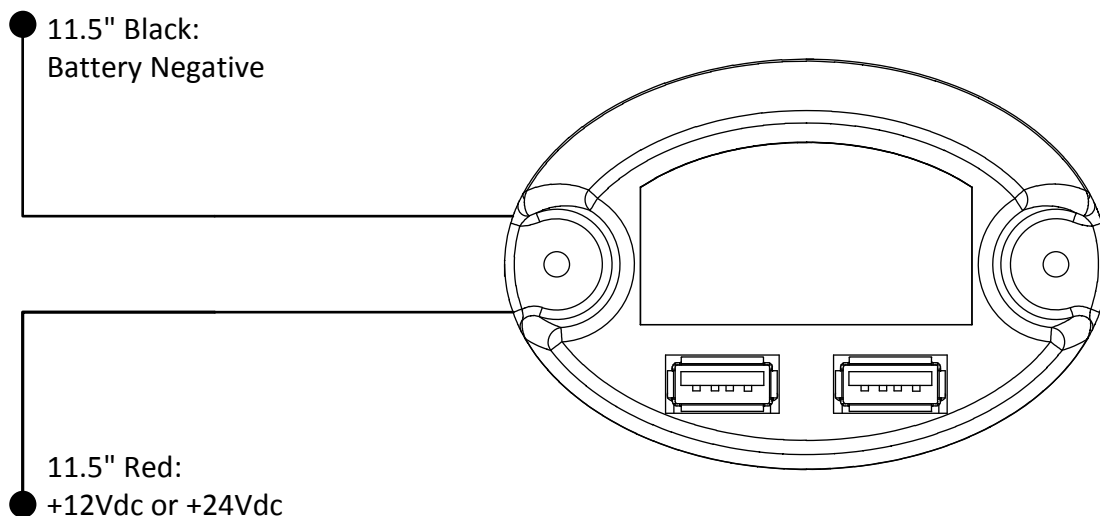
The Vanner VSS Series USB Module is designed to operate in the cab of any vehicle. The USB module is capable of charging many USB powered devices. The module is reverse polarity protected on the input and short circuit protected on the output. It has been designed to work in +12V and +24V applications, it will sense the input voltage and adjust accordingly. As with any electrical device a fuse should be installed on the input of the VSS-USB.

SPECIFICATIONS

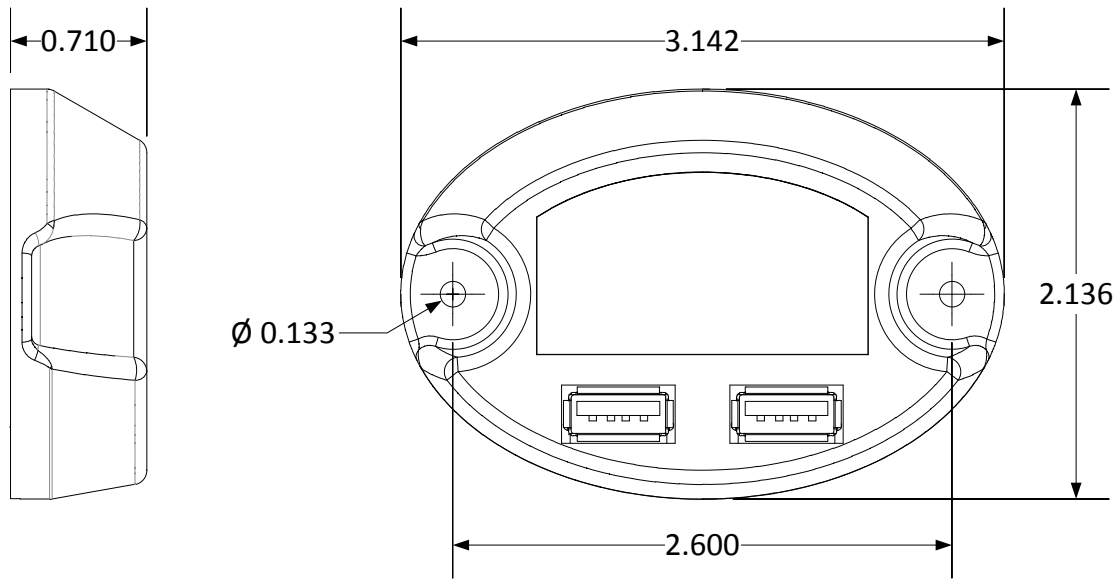
Temperature Range:	-22°F to +140°F (-30°C to +60°C)
Supply Voltage:	8-32Vdc
Input Supply Current:	14mA @ 12Vdc no load (1.1A @ 12Vdc max load) ÷ 2 @ 24Vdc
Weight:	< 1.0 Lbs.
Max Total Output Supply:	+5V 2.1A

Electrical Connection

The battery supply input should be protected with a 10A fuse.



Overall Dimensions



Notes:
